

XFU400 Miniature Load Cell



- Range from 0-500 N to 0-5 kN [100 lbf to 1 klb]
- Tension and/or Compression
- Spherical Plain Rod-End Bearings
- Excellent Accuracy
- For Static and Dynamic Applications

DESCRIPTION

Available in a range of measurements and a variety of mounting threads, the XFU400 is easily installed. Its miniature size facilitates testing where space is at a premium. The sensing element is fitted with a fully temperature compensated Wheatstone bridge equipped with high stability micro-machined silicon strain gages. The XFU400 is used in applications that require a spherical plain rod-end bearing and has the capacity of accepting a full scale range of up to 5 kN [1 klb].

With many years of experience as a designer and manufacturer of sensors, Measurement Specialties, Inc. often works with customers to design or customize sensors for specific uses and testing environments.

To meet your needs we also offer complete turnkey systems. The matched components (sensor, power, amplifier and digital display) are formatted, calibrated and ready for immediate use.

FEATURES

- Based on standard rod end bearings
- Low deflection
- Easy to integrate
- Fast response time
- For Static and Dynamic Applications

APPLICATIONS

- Linkage forces
- Machine tool
- Automotive systems test
- Robotics and effectors

STANDARD RANGES

F.S. Ranges in N	500	1k	3k	4k	5k
F.S. Ranges in lbf	100	200	600	800	1k
Stiffness in N/m	3.4×10^8	5.5×10^8	1.2×10^9	1.4×10^9	1.9×10^9
Stiffness in lbf/ft	2.3×10^7	3.8×10^7	8.2×10^7	9.6×10^7	1.3×10^8

XFU400 Miniature Load Cell

PERFORMANCE SPECIFICATIONS

Ambient Temperature: 20±1° C (unless otherwise specified)

PARAMETERS	
Operating Temperature Range (OTR)	-40 to 120 °C [-40 to 248 °F]
Compensated Temperature Range (CTR)	0 to 60 °C [32 to 140 °F]
Zero Shift in CTR	<2% F.S. / 50 °C [100 °F]
Sensitivity Shift in CTR	<2% of reading / 50° C [100°F]
Range (F.S.)	0-500N to 0-5kN [0-100lbf to 0-1klbf]
Over-Range	
Without Damage	1.5 x F.S.
Without Destruction	2 x F.S.
Accuracy	
Linearity	≤±0.3% F.S
Hysteresis	≤±0.2% F.S

Electrical Characteristics

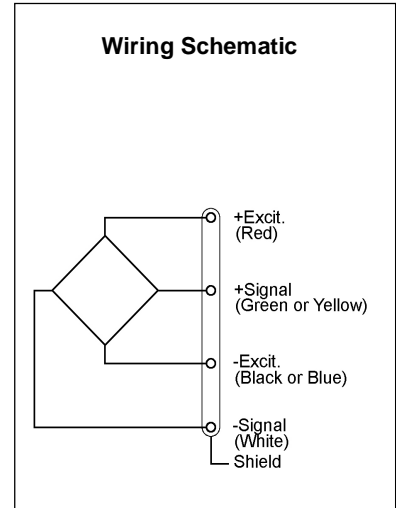
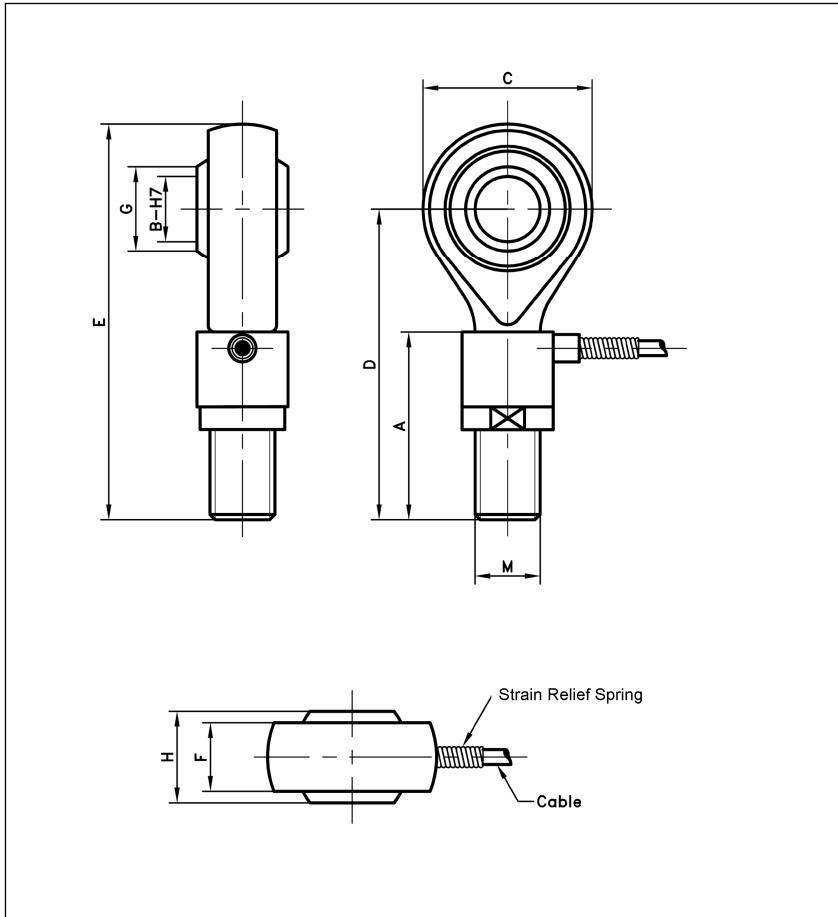
Model	XFU400
Supply Outage	10Vdc
F.S. Output	±100 mV
Zero Offset	<±10 mV
Input Impedance/Consumption	1000 to 3000Ω
Output Impedance	500 to 1000Ω
Insulation under 50Vdc	≥100MΩ

Notes

1. Shielded cable with 4 Teflon wires (AWG36/28), standard length 2 m [6.5 ft] with strain relief spring
2. Material: Body in zinc coated and passivated steel
3. Protection Index: IP50 (other levels available on request)

XFU400 Miniature Load Cell

DIMENSIONS & WIRING SCHEMATIC (IN METRIC AND IMPERIAL)



Dimensions in mm [inch]

Full Scale Range in N [in lbf]	500 [100]	1k [200]	3k [600]	4k [800]	5k [1k]
Threading	M4	M5	M8	M10	M12
A	18 [0.71]	20 [0.79]	25 [0.98]	29 [1.14]	33 [1.3]
B	4 [0.16]	5 [0.2]	8 [0.31]	10 [0.39]	12 [0.47]
C	14 [0.55]	16 [0.63]	22 [0.87]	26 [1.02]	30 [1.18]
D	30 [1.18]	33 [1.3]	42 [1.65]	48 [1.89]	54 [2.13]
E	37 [1.46]	41 [1.61]	53 [2.09]	61 [2.4]	69 [2.72]
F	2.25 [0.089]	6 [0.24]	9 [0.35]	10.5 [0.41]	12 [0.47]
G	6.46 [0.25]	7.71 [0.3]	10.4 [0.41]	12.92 [0.51]	15.43 [0.61]
H	7 [0.28]	8 [0.31]	12 [0.47]	14 [0.55]	16 [0.63]
Stiffness in N/m	3.4×10^8	5.5×10^8	1.2×10^9	1.4×10^9	1.9×10^9
Stiffness in lbf/ft	2.3×10^7	3.8×10^7	8.2×10^7	9.6×10^7	1.3×10^8

XFU400 Miniature Load Cell

OPTIONS

ET1 : CTR -20 to 100° C [-4 to 212° F]

LC"x" : Additional cable length to standard length (in m) (**Note** : "X" = Custom value)

ORDERING INFO

XFU400 - 5KN - /ET1



Other Options (ET1)

Unit (N=Newtons)

Multiplier (K for ranges >1000)

Range

Model

NORTH AMERICA

Measurement Specialties, Inc.
1000 Lucas Way
Hampton, VA 23666
USA
Tel: 1-757-766-1500
Fax: 1-757-766-4297

EUROPE

Measurement Specialties
(Europe), Ltd.
26 Rue des Dames
78340 Les Clayes-Sous-Bois,
France
Tel: +33 (0) 130 79 33 00
Fax: +33 (0) 134 81 03 59

ASIA

北京赛斯维测控技术有限公司
北京市朝阳区望京西路48号
金隅国际D座302
电话 : +86 010 8477 5646
传真 : +86 010 5894 9029
邮箱 : sales@sensorway.cn
<http://www.sensorway.cn>

The information in this sheet has been carefully reviewed and is believed to be accurate; however, no responsibility is assumed for inaccuracies. Furthermore, this information does not convey to the purchaser of such devices any license under the patent rights to the manufacturer. Measurement Specialties, Inc. reserves the right to make changes without further notice to any product herein. Measurement Specialties, Inc. makes no warranty, representation or guarantee regarding the suitability of its product for any particular purpose, nor does Measurement Specialties, Inc. assume any liability arising out of the application or use of any product or circuit and specifically disclaims any and all liability, including without limitation consequential or incidental damages. Typical parameters can and do vary in different applications. All operating parameters must be validated for each customer application by customer's technical experts. Measurement Specialties, Inc. does not convey any license under its patent rights nor the rights of others.