

FN6163-2 Gearbox Load Cells



- Compression measurements
- Telemetry based transmission
- RS232 digital output
- Power supply to sensor via telemetry
- System includes FN6114 and FN6115

DESCRIPTION

The **FN6163-2** transducer is part of a whole measurement system, which allows verifying the correct pre-straining of the shafts and differentials in a gearbox. Made to the design of the original short secondary shaft, it accurately measures the axial forces in a typical range of 10 kN.

Through wireless signal transmission and power supply the transducer is extremely easy to mount and use. Different shaft designs have also been designed such as **FN6162**, **FN6164** and **FN6165** transducers. A complete PC software has been developed for interactive configuration.

For a new example of similar application, which uses a sensor designed as a copy of a complex component for machine calibration, contact your MEAS' representative for the technical specification of **FN7385**.

With many years of experience as a designer and manufacturer of sensors, Measurement Specialties, Inc. often works with customers to design or customize sensors for specific uses and testing environments.

FEATURES

- Exact design of the piece it replaces
- High sensor accuracy (CNL&H < 1% FS)
- Optional integrated amplifier
- Minimal cross effects

APPLICATIONS

- Process machine control
- Calibration tool
- Automotive industries

STANDARD RANGES

Model	FN6163-2
Range in N [in lbf]	10k [2k]

FN6163-2 Gearbox Load Cells

PERFORMANCE SPECIFICATIONS

All values are typical at temperature 20±1°C

PARAMETERS	
Operating Temperature Range (OTR)	-10 to 60° C [-4 to 176° F]
Compensated Temperature Range (CTR)	0 to 50° C [32 to 140° F]
Zero Shift in CTR	< 3% F.S. / 50° C [100° F]
Sensitivity Shift in CTR	5 . 10 ⁻⁴ of reading / 50° C [100° F]
Range (F.S.)	10 kN
Over-Range	
Without Damage	1.5 x F.S.
Accuracy	
Combined non-linearity and hysteresis	±1% F.S.

Electrical Characteristics

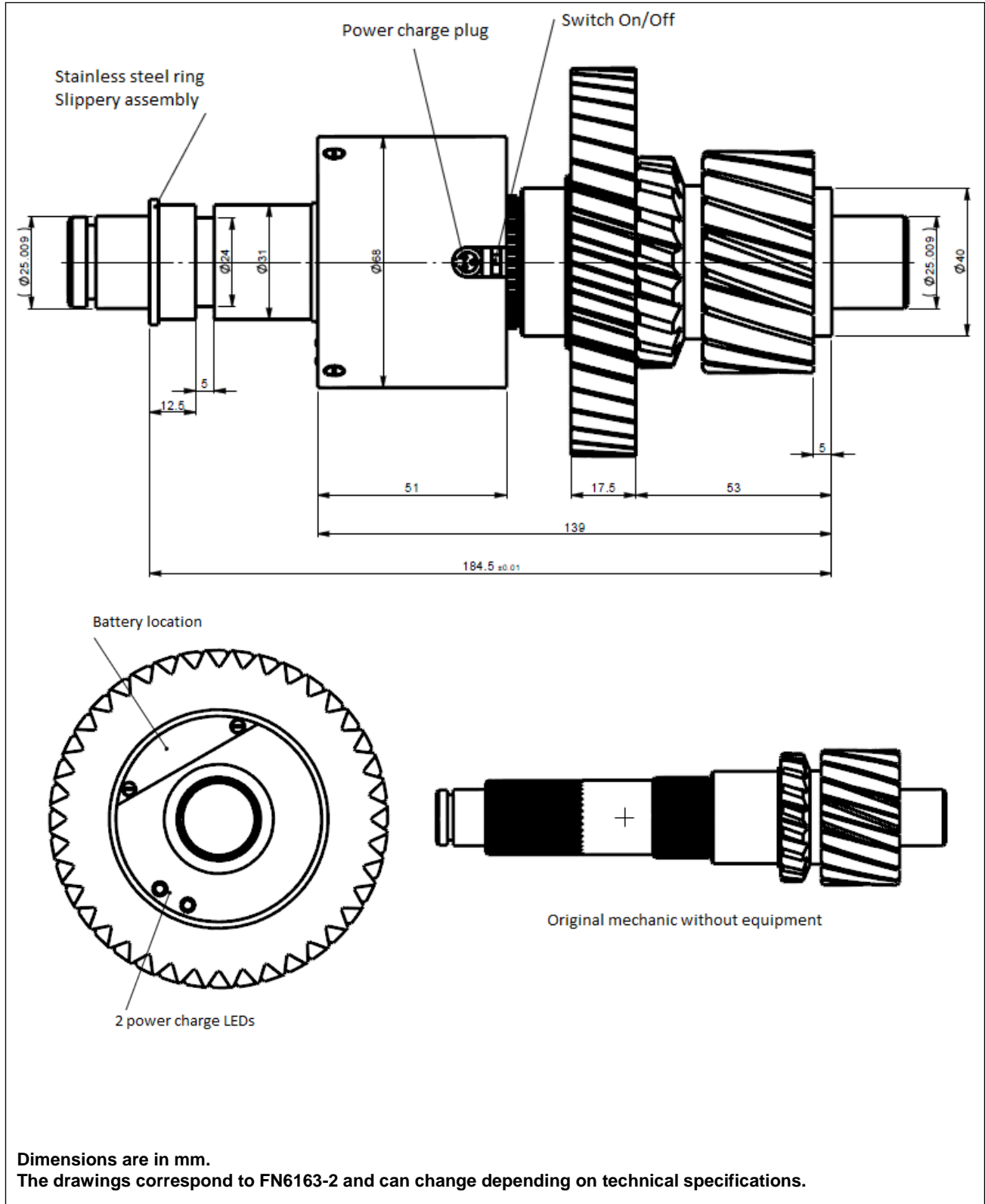
Model	FN6163-2
Supply Outage	6 – 8.5 Vdc
F.S. RS232 Output	10 bit resolution
Insulation under 50Vdc	≥100MΩ

Notes

1. Electrical Termination: Connector output including mate
2. Wiring schematic depends on the sensor and number of channels
3. Materials: Body in stainless steel cover in aluminium alloy
4. Protection index: IP50
5. CE conformance according to EN 61010-1, EN 50081-1, EN 50082-1

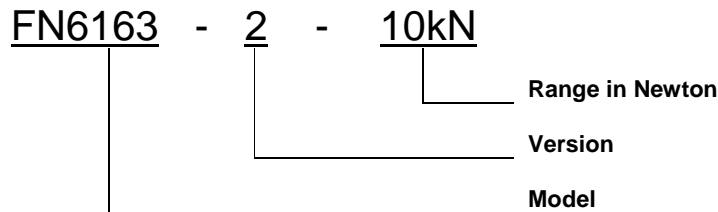
FN6163-2 Gearbox Load Cells

DIMENSIONS & WIRING SCHEMATIC (IN METRIC)



FN6163-2 Gearbox Load Cells

ORDERING INFO



NORTH AMERICA

Measurement Specialties, Inc.
Vibration Design Center
32 Journey - Suite 150
Aliso Viejo, CA 92656
United States USA
Tel: 1-949-716-0877
Fax: 1-949-916-5677

EUROPE

Measurement Specialties
(Europe), Ltd.
26 Rue des Dames
78340 Les Clayes-Sous-Bois,
France
Tel: +33 (0) 130 79 33 00
Fax: +33 (0) 134 81 03 59

ASIA

北京赛斯维测控技术有限公司
北京市朝阳区望京西路48号
金隅国际D座302
电话：+86 010 8477 5646
传真：+86 010 5894 9029
邮箱：sales@sensorway.cn
<http://www.sensorway.cn>

The information in this sheet has been carefully reviewed and is believed to be accurate; however, no responsibility is assumed for inaccuracies. Furthermore, this information does not convey to the purchaser of such devices any license under the patent rights to the manufacturer. Measurement Specialties, Inc. reserves the right to make changes without further notice to any product herein. Measurement Specialties, Inc. makes no warranty, representation or guarantee regarding the suitability of its product for any particular purpose, nor does Measurement Specialties, Inc. assume any liability arising out of the application or use of any product or circuit and specifically disclaims any and all liability, including without limitation consequential or incidental damages. Typical parameters can and do vary in different applications. All operating parameters must be validated for each customer application by customer's technical experts. Measurement Specialties, Inc. does not convey any license under its patent rights nor the rights of others.