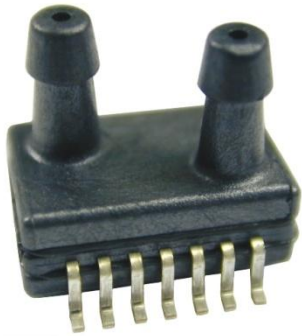


MS5525DSO (Digital Small Outline)



- Integrated Digital Pressure Sensor (24-bit $\Delta\Sigma$ ADC)
- Fast Conversion Down to 1 ms
- Low Power, 1 μA (standby < 0.15 μA)
- Supply Voltage: 1.8 to 3.6V
- Pressure Range: 1 to 30 PSI
- I²C and SPI Interface up to 20 MHz

Preliminary

DESCRIPTION

The MS5525DSO is a new generation of Digital Small Outline pressure sensors from MEAS with SPI and I²C bus interface designed for high volume OEM users. The sensor module includes a pressure sensor and an ultra low power 24-bit $\Delta\Sigma$ ADC with internal factory calibrated coefficients. It provides a 24-bit digital pressure and temperature value and different operation modes that allow the user to optimize for conversion speed and current consumption. The MS5525DSO can be interfaced to virtually any microcontroller. The communication protocol is simple, without the need of programming internal registers in the device.

This new sensor module generation is based on leading MEMS technology and latest benefits from MEAS proven experience and know-how in high volume manufacturing of pressure modules, which have been widely used for over a decade.

The rugged engineered thermoplastic transducer is available in single and dual port configurations, and can measure absolute, gauge, compound, and differential pressure from 1 to 30psi.

FEATURES

- Small Outline IC Package
- Barbed Pressure Ports
- Low Power, High Resolution ADC
- Digital Pressure and Temperature Outputs

APPLICATIONS

- Factory Automation
- Altitude and Airspeed Measurements
- Medical Instruments
- Leak Detection

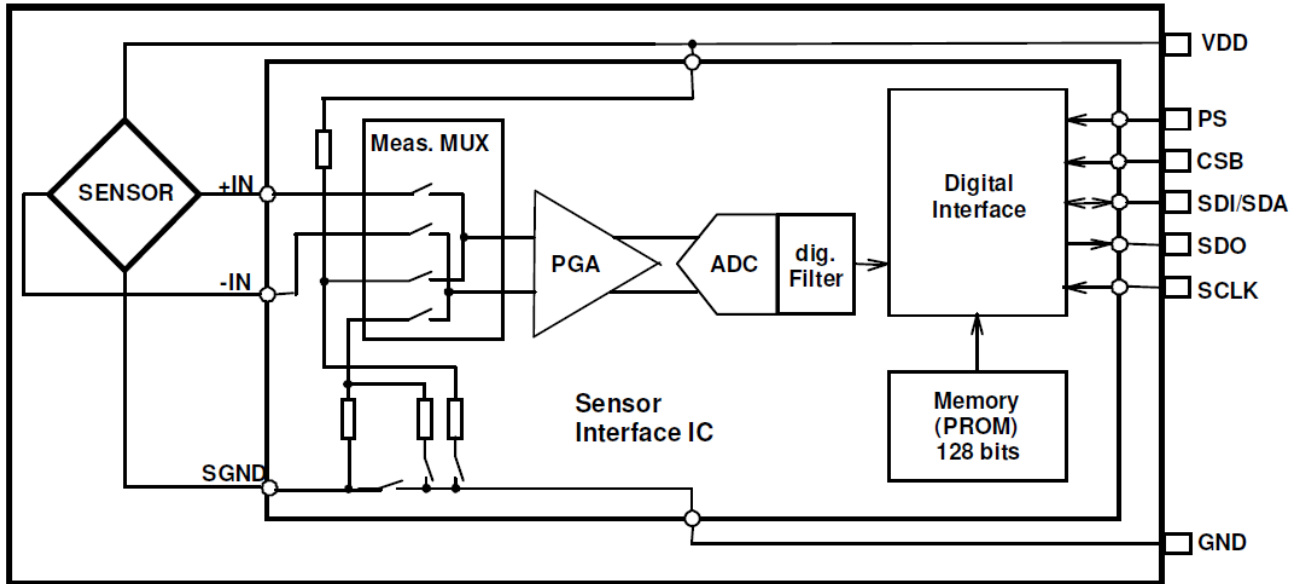
STANDARD RANGES (PSI)

| FS Pressure | Absolute | Gauge | Differential | Compound |
|-------------|----------|----------------|---------------|----------|
| 1 | | DB, SB, ST, DH | DB, SB,ST, DH | |
| 2 | | DB, SB, ST, DH | DB, SB,ST, DH | |
| 5 | | DB, SB, ST, DH | DB, SB,ST ,DH | |
| 15 | SB, ST | DB, SB, ST, DH | DB, DH | |
| 30 | SB, ST | DB, SB, ST, DH | DB, DH | SB, ST |

See Package Configurations: DB= Dual Barb, DH= Dual Hole, SB, Single Barb, ST, Single Tube

MS5525DSO (Digital Small Outline)

BLOCK DIAGRAM



ABSOLUTE MAXIMUM RATING

| Parameter | Conditions | Min | Max | Unit | Symbol/Notes |
|---------------------|---------------------------------------|-----------------------------------|-----|------------------|----------------|
| Supply Voltage | $T_A = 25^\circ\text{C}$ | 1.8 | 3.6 | V | V_{DD} |
| Output Current | $T_A = 25^\circ\text{C}$ | | | | |
| Storage Temperature | | -40 | 125 | $^\circ\text{C}$ | |
| Humidity | $T_A = 25^\circ\text{C}$ | | 95 | %RH | Non Condensing |
| Overpressure | $T_A = 25^\circ\text{C}$, both Ports | | 300 | psi | |
| Burst Pressure | $T_A = 25^\circ\text{C}$, Port 1 | | | psi | See Table 1 |
| ESD | HBM | -4 | +4 | kV | EN 61000-4-2 |
| Solder Temperature | | 250 $^\circ\text{C}$, 5 sec max. | | | |

Table 1- BURST PRESSURE BY RANGE AND PORT DESIGNATION

| Range | Port 1 | Port 2 | Unit |
|-------|--------|--------|------|
| 001 | 20 | 20 | psi |
| 002 | 20 | 20 | psi |
| 005 | 15 | 20 | psi |
| 015 | 45 | 90 | psi |
| 030 | 90 | 200 | psi |

MS5525DSO (Digital Small Outline)

ENVIRONMENTAL SPECIFICATIONS

| Parameter | Conditions |
|----------------------|------------------------------------------------------------|
| Mechanical Shock | Mil Spec 202F, Method 213B, Condition C, 3 Drops |
| Mechanical Vibration | Mil Spec 202F, Method 214A, Condition 1E, 1Hr Each Axis |
| Thermal Shock | 100 Cycles over Storage Temperature, 30 minute dwell |
| Life | 1 Million FS Cycles |
| MTTF | >10Yrs, 70 °C, 10 Million Pressure Cycles, 120%FS Pressure |

PERFORMANCE SPECIFICATIONS

Supply Voltage¹ 3.0 Vdc

Reference Temperature: 25°C (unless otherwise specified)

| PARAMETERS | MIN | TYP | MAX | UNITS | NOTES |
|----------------------------------------------|---------------------------------------------------------------------------------------------------------------------------------------------------------------------|-----|------|-------|-------|
| ADC | | | 24 | bits | |
| Pressure Accuracy | -0.25 | | 0.25 | %FS | 2,5 |
| Total Error Band (TEB) | -2.5 | | 2.5 | %FS | 3 |
| Temperature Accuracy (Reference Temperature) | -0.8 | | 0.8 | °C | 4,5 |
| Temperature Accuracy | -2.0 | | 2.0 | °C | 4,5 |
| Supply Current | See OSR Table Below | | | mA | |
| Compensated Temperature | 0 | | 85 | °C | |
| Operating Temperature | -40 | | +125 | °C | |
| Conversion Time | See OSR Table Below | | | mS | |
| Weight | 3 | | | grams | |
| Media | Non-Corrosive Dry Gases Compatible with Phosphor Bronze, Silicon, Pyrex, LCP, RTV, Gold, Aluminum and Epoxy. See "Wetted Material by Part Designation" chart below. | | | | |

Notes

1. Proper operation requires an external capacitor placed as shown in Connection Diagram. Output is not ratiometric to supply voltage.
2. The maximum deviation from a best fit straight line (BFSL) fitted to the output measured over the pressure range at 25°C. Includes all errors due to pressure non linearity, hysteresis, and non repeatability.
3. The maximum deviation from ideal output with respect to input pressure and temperature over the compensated temperature range. Total error band (TEB) includes all accuracy errors, thermal errors over the compensated temperature range, span and offset calibration tolerances. TEB values are valid only at the calibrated supply voltage.
4. The deviation from a best fit straight line (BFSL) fitted to the output measured over compensated temperature range.
5. Ten coefficients must be read by microcontroller software and are used in a mathematical calculation for converting D1 and D2 into compensated pressure and temperature values.

MS5525DSO (Digital Small Outline)

OVERSAMPLING RATIO (OSR) PERFORMANCE CHARACTERISTICS

SUPPLY CURRENT CHARACTERISTICS

| Parameter | Symbol | Conditions | Min. | Typ. | Max | Unit |
|---------------------------------------|-----------------|-------------------|------|------|------|------|
| Supply current (1 sample per sec.) | I _{DD} | OSR 4096 | | 12.5 | | μA |
| | | 2048 | | 6.3 | | |
| | | 1024 | | 3.2 | | |
| | | 512 | | 1.7 | | |
| | | 256 | | 0.9 | | |
| Peak supply current | | during conversion | | 1.4 | | mA |
| Standby supply current | | at 25°C | | 0.02 | 0.14 | μA |

ANALOG DIGITAL CONVERTER (ADC)

| Parameter | Symbol | Conditions | Min. | Typ. | Max | Unit |
|-----------------|----------------|------------|------|------|------|------|
| Conversion time | t _c | OSR 4096 | 7.40 | 8.22 | 9.04 | ms |
| | | 2048 | 3.72 | 4.13 | 4.54 | |
| | | 1024 | 1.88 | 2.08 | 2.28 | |
| | | 512 | 0.95 | 1.06 | 1.17 | |
| | | 256 | 0.48 | 0.54 | 0.60 | |

TEMPERATURE OUTPUT CHARACTERISTICS (V_{DD} = 3 V, T = 25°C UNLESS OTHERWISE NOTED)

| Parameter | Conditions | Min. | Typ. | Max | Unit |
|-----------------------------------|-----------------------------------|------|------|-------|------|
| Resolution RMS | OSR | 4096 | | 0.002 | °C |
| | | 2048 | | 0.003 | |
| | | 1024 | | 0.005 | |
| | | 512 | | 0.008 | |
| | | 256 | | 0.012 | |
| Maximum error with supply voltage | V _{DD} = 1.8 V ... 3.6 V | -0.5 | | +0.5 | °C |

MS5525DSO (Digital Small Outline)

INPUT/OUTPUT SPECIFICATIONS

DIGITAL INPUTS (CSB, I²C, DIN, SCLK)

| Parameter | Symbol | Conditions | Min. | Typ. | Max | Unit |
|-----------------------|------------------------------------------------|--------------|---------------------|------|----------------------|------|
| Serial data clock | SCLK | SPI protocol | | | 20 | MHz |
| Input high voltage | V _{IH} | Pins CSB | 80% V _{DD} | | 100% V _{DD} | V |
| Input low voltage | V _{IL} | | 0% V _{DD} | | 20% V _{DD} | V |
| Input leakage current | I _{leak25°C} I _{leak85°C} | at 25°C | | | 0.15 | μA |
| Input capacitance | C _{IN} | | | | 6 | pF |

PRESSURE OUTPUTS (I²C, DOUT)

| Parameter | Symbol | Conditions | Min. | Typ. | Max | Unit |
|---------------------|-------------------|------------------------------|---------------------|------|----------------------|------|
| Output high voltage | V _{OH} | I _{source} = 1.0 mA | 80% V _{DD} | | 100% V _{DD} | V |
| Output low voltage | V _{OL} | I _{sink} = 1.0 mA | 0% V _{DD} | | 20% V _{DD} | V |
| Load capacitance | C _{LOAD} | | | | 16 | pF |

MS5525DSO (Digital Small Outline)

FUNCTIONAL DESCRIPTION

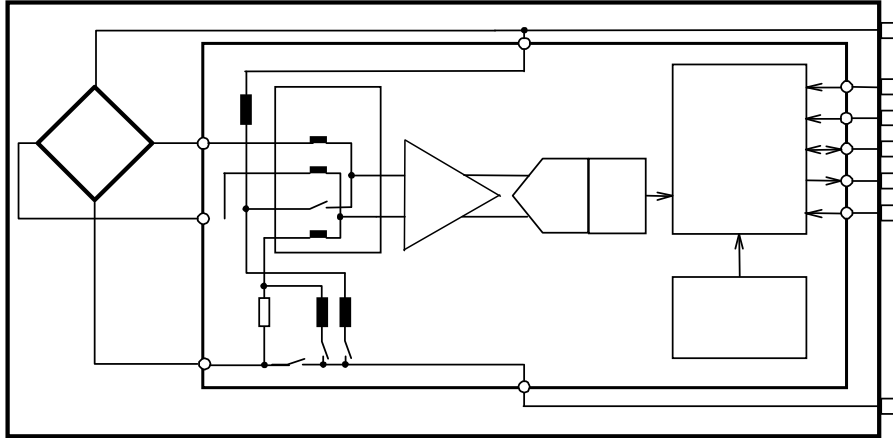


Figure 1: Block diagram of MS5525DSO

GENERAL

The MS5525DSO consists of a piezo-resistive sensor and a sensor interface IC. The main function of the MS5525DSO is to convert the uncompensated analogue output voltage from the piezo-resistive pressure sensor to a 24-bit digital value, as well as providing a 24-bit digital value for the temperature of the sensor.

FACTORY CALIBRATION

Every module is individually factory calibrated at three temperatures and three pressures. As a result, 10 coefficients necessary to compensate for process variations and temperature variations are calculated and stored in the 128-bit PROM of each module. These bits (partitioned into 10 coefficients) must be read by the microcontroller software and used in the program converting D1 and D2 into compensated pressure and temperature values.

SERIAL INTERFACE

The MS5525DSO has built in two types of serial interfaces: SPI and I²C. Pulling the Protocol Select pin PS to low selects the SPI protocol, pulling PS to high activates the I²C bus protocol.

| Pin PS | Mode | Pins used |
|--------|------------------|---------------|
| High | I ² C | SDA |
| Low | SPI | SDI, SDO, CSB |

SPI MODE

The external microcontroller clocks in the data through the input SCLK (Serial CLock) and SDI (Serial Data In). In the SPI mode module can accept both mode 0 and mode 3 for the clock polarity and phase. The sensor responds on the output SDO (Serial Data Out). The pin CSB (Chip Select) is used to enable/disable the interface, so that other devices can talk on the same SPI bus. The CSB pin can be pulled high after the command is sent or after the end of the command execution (for example end of conversion). The best noise performance from the module is obtained when the SPI bus is idle and without communication to other devices during the ADC conversion.

MS5525DSO (Digital Small Outline)

I²C MODE & ADDRESSING

The external microcontroller clocks in the data through the input SCLK (Serial CLock) and SDA (Serial DATA). The sensor responds on the same pin SDA which is bidirectional for the I²C bus interface. So this interface type uses only 2 signal lines and does not require a chip select, which can be favorable to reduce board space. In I²C -Mode the complement of the pin CSB (Chip Select) represents the LSB of the I²C address. It is possible to use two sensors with two different addresses on the I²C bus. The pin CSB must be connected to VDD or GND do not leave these pins unconnected.

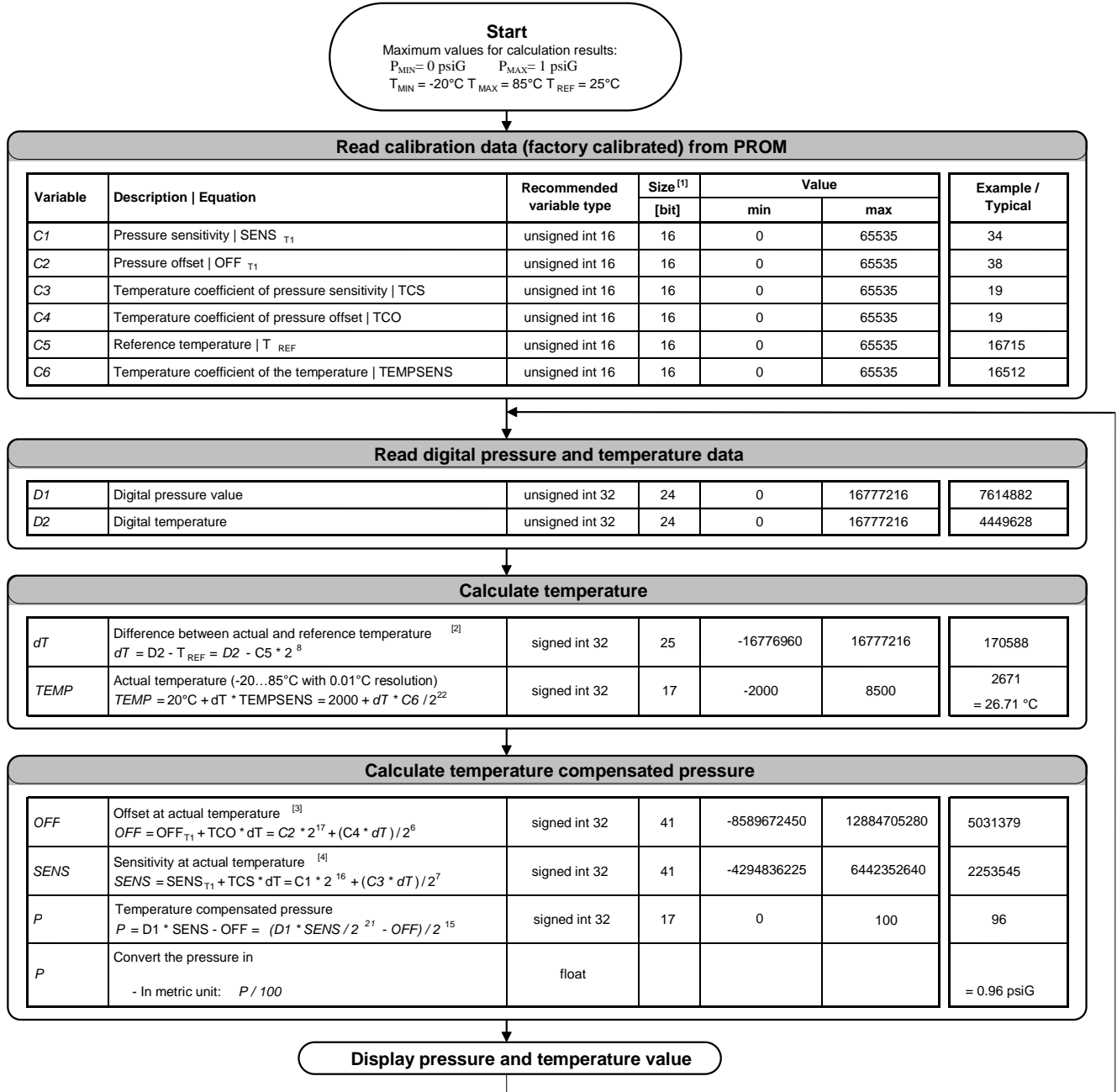
COMMANDS

The MS5525DSO has only five basic commands:

1. Reset
2. Read PROM (128 bit of calibration words)
3. D1 conversion
4. D2 conversion
5. Read ADC result (24 bit pressure / temperature)

MS5525DSO (Digital Small Outline)

PRESSURE AND TEMPERATURE CALCULATION



Notes

- [1] Maximal size of intermediate result during evaluation of variable
- [2] min and max have to be defined
- [3] min and max have to be defined
- [4] min and max have to be defined

Figure 1: Flow chart for pressure and temperature reading and software compensation.

MS5525DSO (Digital Small Outline)

SPI INTERFACE

COMMANDS

Size of each command is 1 byte (8 bits) as described in the table below. After ADC read commands the device will return 24 bit result and after the PROM read 16bit result. The address of the PROM is embedded inside of the PROM read command using the Ad₂, Ad₁ and Ad₀ bits.

| Bit number | Command byte | | | | | | | | hex value |
|-----------------------|--------------|-----|---|-----|-------------|-------------|-------------|------|-----------------|
| | 0 | 1 | 2 | 3 | 4 | 5 | 6 | 7 | |
| Bit name | PRM | COV | - | Typ | Ad2/ Os2 | Ad1/ Os1 | Ad0/ Os0 | Stop | |
| Command | | | | | | | | | |
| Reset | 0 | 0 | 0 | 1 | 1 | 1 | 1 | 0 | 0x1E |
| Convert D1 (OSR=256) | 0 | 1 | 0 | 0 | 0 | 0 | 0 | 0 | 0x40 |
| Convert D1 (OSR=512) | 0 | 1 | 0 | 0 | 0 | 0 | 1 | 0 | 0x42 |
| Convert D1 (OSR=1024) | 0 | 1 | 0 | 0 | 0 | 1 | 0 | 0 | 0x44 |
| Convert D1 (OSR=2048) | 0 | 1 | 0 | 0 | 0 | 1 | 1 | 0 | 0x46 |
| Convert D1 (OSR=4096) | 0 | 1 | 0 | 0 | 1 | 0 | 0 | 0 | 0x48 |
| Convert D2 (OSR=256) | 0 | 1 | 0 | 1 | 0 | 0 | 0 | 0 | 0x50 |
| Convert D2 (OSR=512) | 0 | 1 | 0 | 1 | 0 | 0 | 1 | 0 | 0x52 |
| Convert D2 (OSR=1024) | 0 | 1 | 0 | 1 | 0 | 1 | 0 | 0 | 0x54 |
| Convert D2 (OSR=2048) | 0 | 1 | 0 | 1 | 0 | 1 | 1 | 0 | 0x56 |
| Convert D2 (OSR=4096) | 0 | 1 | 0 | 1 | 1 | 0 | 0 | 0 | 0x58 |
| ADC Read | 0 | 0 | 0 | 0 | 0 | 0 | 0 | 0 | 0x00 |
| PROM Read | 1 | 0 | 1 | 0 | Ad2 | Ad1 | Ad0 | 0 | 0xA0 to 0xAE |

Figure 4: Command structure

RESET SEQUENCE

The Reset sequence shall be sent once after power-on to make sure that the calibration PROM gets loaded into the internal register. It can be also used to reset the device ROM from an unknown condition

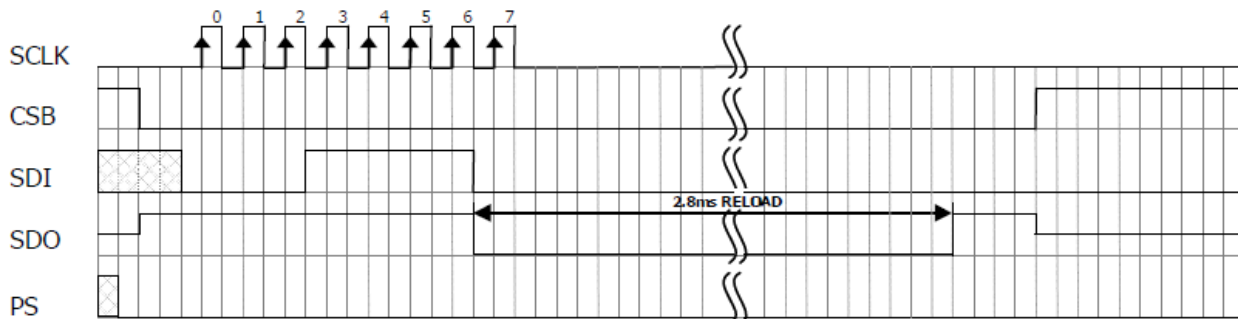


Figure 5: Reset command sequence SPI mode 0

MS5525DSO (Digital Small Outline)

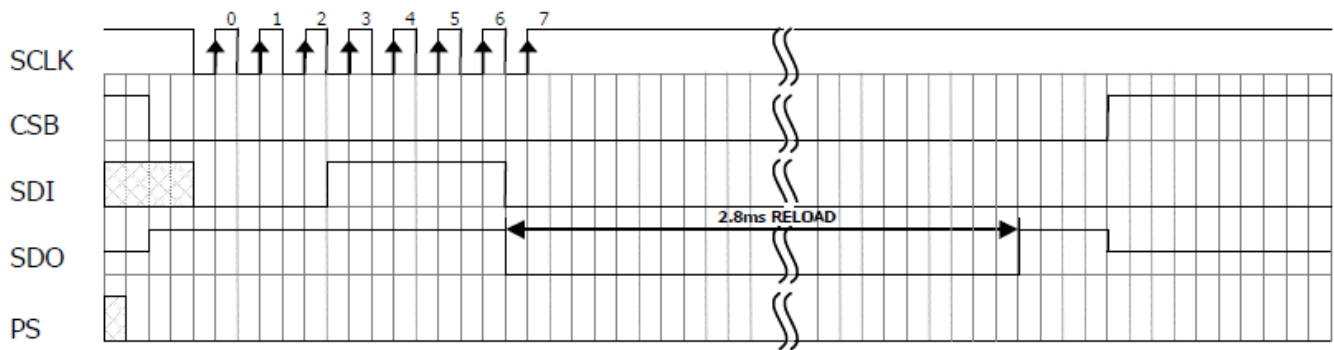


Figure 6: Reset command sequence SPI mode 3

CONVERSION SEQUENCE

The conversion command is used to initiate uncompensated pressure (D1) or uncompensated temperature (D2) conversion. The chip select can be disabled during this time to communicate with other devices. After the conversion, using ADC read command the result is clocked out with the MSB first. If the conversion is not executed before the ADC read command, or the ADC read command is repeated, it will give 0 as the output result. If the ADC read command is sent during conversion the result will be 0, the conversion will not stop and the final result will be wrong. Conversion sequence sent during the already started conversion process will yield incorrect result as well.

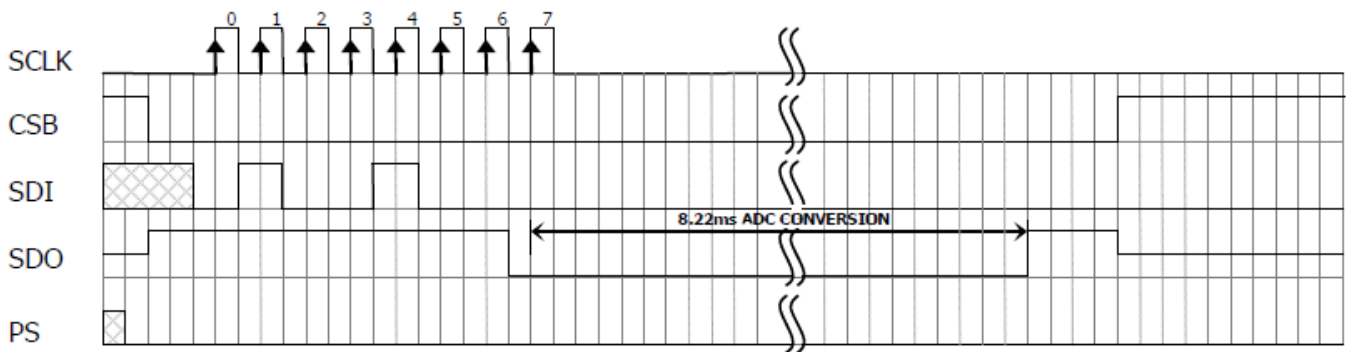


Figure 7: Conversion out sequence, Typ=d1, OSR = 4096

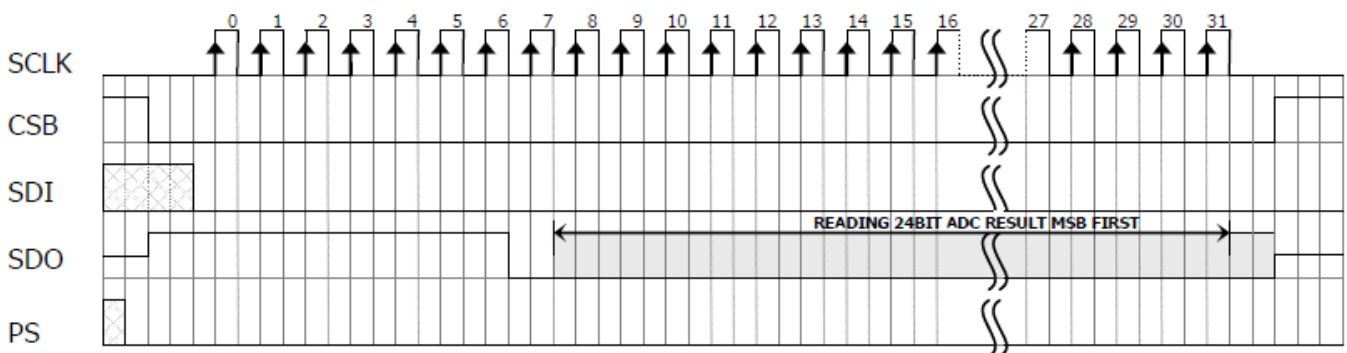


Figure 8: ADC Read sequence

MS5525DSO (Digital Small Outline)

PROM READ SEQUENCE

The read command for PROM shall be executed once after reset by the user to read the content of the calibration PROM and to calculate the calibration coefficients. There are in total 8 addresses resulting in a total memory of 128 bit. Address 0 contains factory data and the setup, addresses 1-6 calibration coefficients and address 7 contains the serial code and CRC. The command sequence is 8 bits long with a 16 bit result which is clocked with the MSB first.

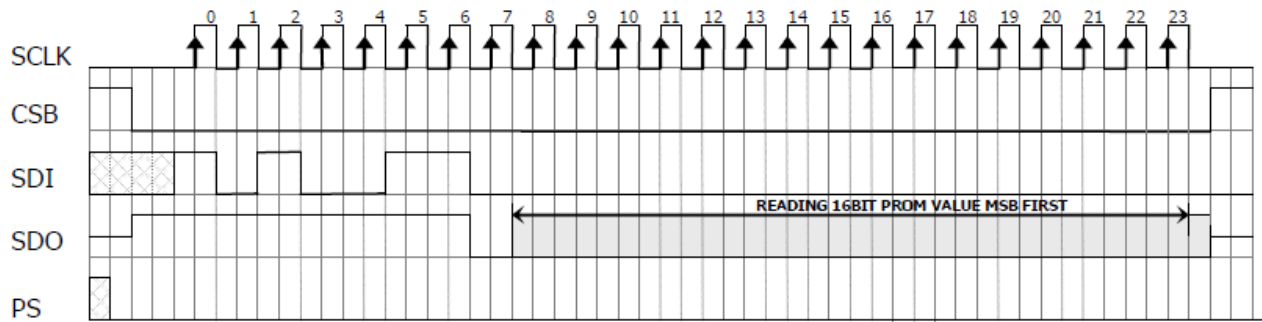


Figure 9: PROM Read sequence, address = 011 (Coefficient 3).

MS5525DSO (Digital Small Outline)

I²C INTERFACE

COMMANDS

Each I²C communication message starts with the start condition and it is ended with the stop condition. The MS5525DSO address is 111011Cx, where C is the complementary value of the pin CSB. Since the IC does not have a microcontroller inside, the commands for I²C and SPI are quite similar. The command structure is the same as shown in Figure 4 above.

RESET SEQUENCE

The reset can be sent at any time. In the event that there is not a successful power on reset this may be caused by the SDA being blocked by the module in the acknowledge state. The only way to get the MS5525DSO to function is to send several SCLKs followed by a reset sequence or to repeat power on reset.

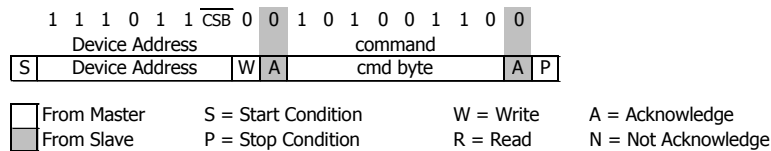


Figure 10: I²C Reset Command

PROM READ SEQUENCE

The PROM Read command consists of two parts. First command sets up the system into PROM read mode. The second part gets the data from the system.

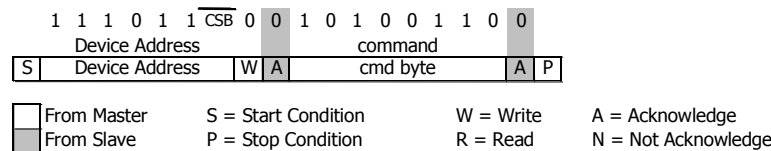


Figure 11: I2C Command to read memory address= 011 (Coefficient 3)

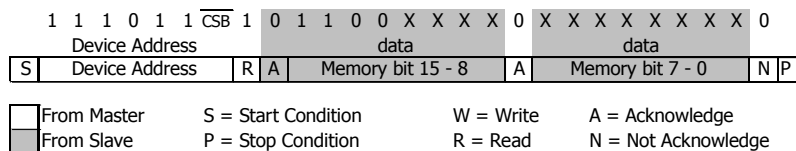


Figure 12: I2C response from MS5525DSO

MS5525DSO (Digital Small Outline)

CONVERSION SEQUENCE

A conversion can be started by sending the command to MS5525DSO. When command is sent to the system it stays busy until conversion is done. When conversion is finished the data can be accessed by sending a Read command, when an acknowledge appears from the MS5525DSO, 24 SCLK cycles may be sent to receive all result bits. Every 8-bit the system waits for an acknowledge signal.

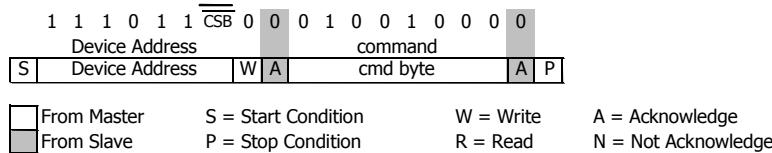


Figure 13: I²C Command to initiate a pressure conversion (OSR=4096, typ=D1)

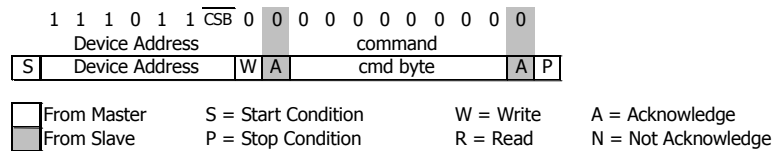


Figure 14: I²C ADC read sequence

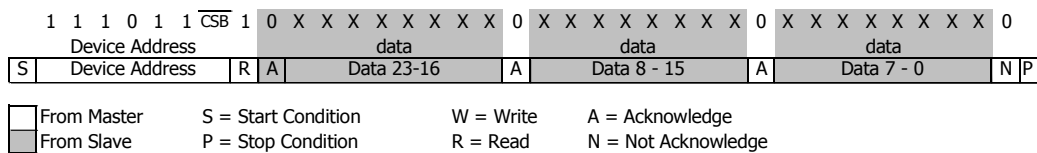


Figure 15: I²C response from MS5525DSO

CYCLIC REDUNDANCY CHECK (CRC)

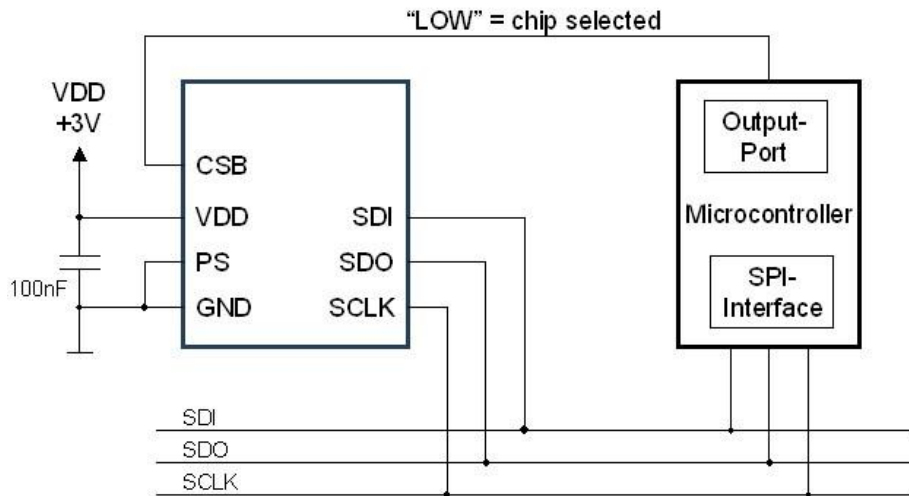
MS5525DSO contains a PROM memory with 128-Bit. A 4-bit CRC has been implemented to check the data validity in memory. The application note AN520 describes in detail CRC-4 code used.

MS5525DSO (Digital Small Outline)

APPLICATION CIRCUIT

The MS5525DSO is a circuit that can be used in conjunction with a microcontroller. It is designed for low-voltage systems with a supply voltage of 3 V.

SPI protocol communication



I²C protocol communication

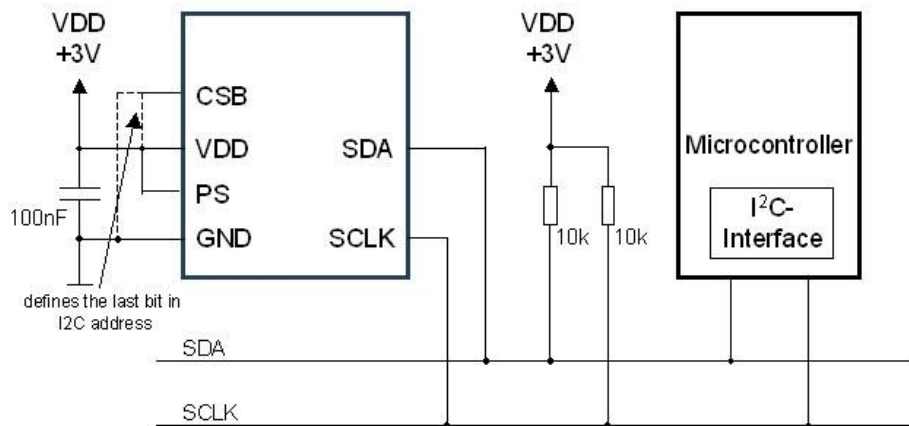


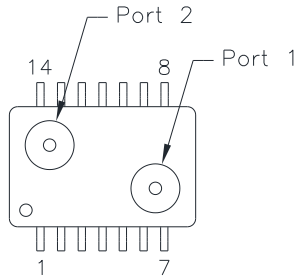
Figure 17: Typical application circuit with SPI / I²C protocol communication

Note

1. Place 100nF capacitor between Supply and GND to within 2 cm of sensor.

MS5525DSO (Digital Small Outline)

PACKAGE, PINOUT & PRESSURE TYPE CONFIGURATION



| PAD NO | FUNCTION | PAD NO | FUNCTION |
|--------|----------|--------|----------|
| 1 | N/A | 8 | CSB |
| 2 | N/A | 9 | GND |
| 3 | N/A | 10 | PS |
| 4 | N/A | 11 | VDD |
| 5 | SDO | 12 | N/A |
| 6 | SDA/SDI | 13 | N/A |
| 7 | SCL/SCLK | 14 | N/A |

| Pin Name | Pin | Function I ² C | SPI |
|----------|-----|---------------------------------------------------------------------------------------------------------------------------------------------------------------------------------------------------------------------------------|--------------------------|
| SDO | 5 | | Serial Data Output |
| SDA/SDI | 6 | I ² C Data Input and Output | SPI Serial Data Input |
| SCL/SCLK | 7 | I ² C Clock | SPI Clock |
| CSB | 8 | Defines I ² C Address | Chip Select (Active Low) |
| GND | 9 | Ground | |
| PS | 10 | Protocol Select PS = (VDD) I ² C Protocol Selected PS = (GND) SPI Protocol Selected CSB= (VDD) I ² C Address =1110110X (0xEC, 0xED) CSB= (GND) I ² C Address=1110111X (0xEE, 0xEF) | |
| VDD | 11 | Positive Supply Voltage | |

| Pressure Type | Pmin | Pmax | Description |
|--------------------------------|---------|---------|--------------------------------------------------------------------------------------------------------------------------------------------------------------------|
| Absolute | 0psiA | +Prange | Output is proportional to the difference between 0psiA (Pmin) and pressure applied to Port 2. |
| Differential/ Bidirectional | -Prange | +Prange | Output is proportional to the difference between Port 1 and Port 2. Output swings positive when Port 1 > Port 2. Output is 50% of total counts when Port 1=Port 2. |
| Gauge | 0psiG | +Prange | Output is proportional to the difference between 0psiG (Pmin) and Port 1. Output swings positive when Port 1 > Port 2. |
| Compound | -15psiG | +Prange | Output is proportional to the difference between -15psiG pressure (Pmin) and pressure applied to Port 1. |

WETTED MATERIAL BY PORT DESIGNATION

| Style | Port | Material | | | | | | | | |
|--------|--------|----------|-----------------|---------|-------|-----|------|----------|--------------|-------|
| | | LCP | Phosphor Bronze | Silicon | Pyrex | RTV | Gold | Aluminum | Silicone Gel | Epoxy |
| DB, DH | Port 1 | X | | X | X | X | | | | X |
| | Port 2 | X | X | X | X | X | | X | | X |
| ST,SB | Port 1 | X | | X | X | X | | | | X |

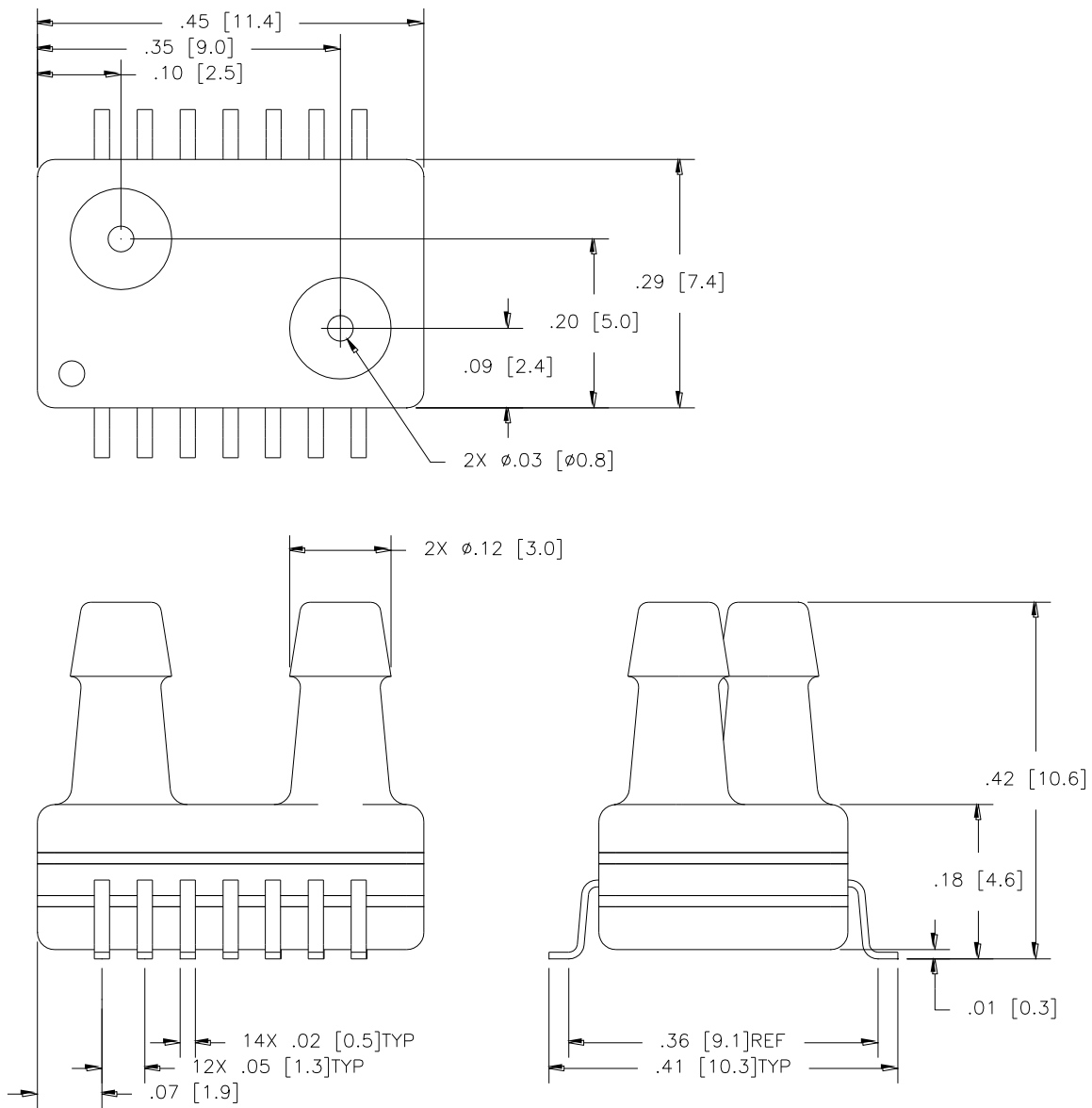
"X" Indicates Wetted Material

MS5525DSO (Digital Small Outline)

DIMENSIONS

MS5525DSO-DBxxxS

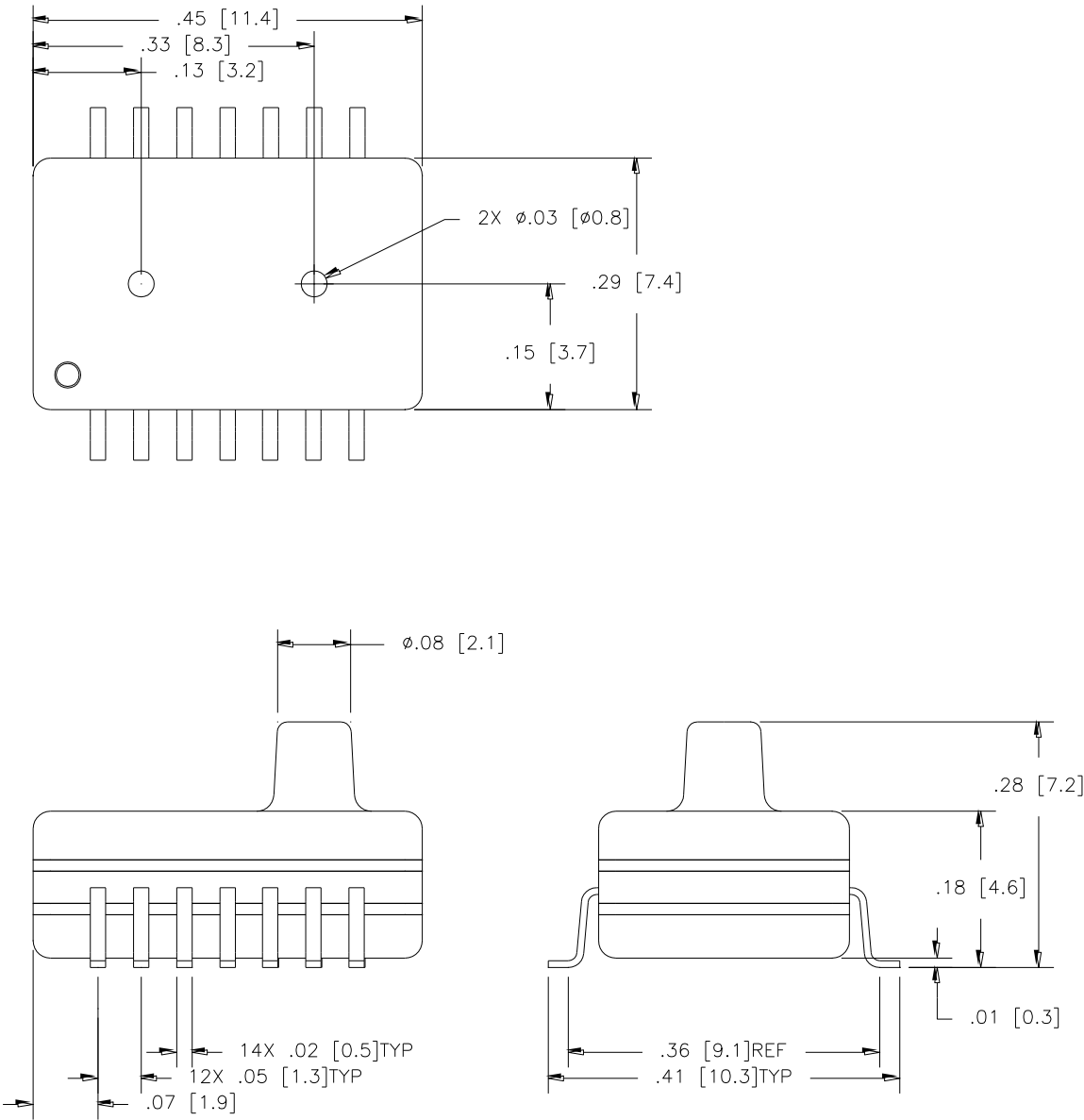
DIMENSIONS ARE IN INCHES [mm]



MS5525DSO (Digital Small Outline)

MS5525DSO-STxxxys

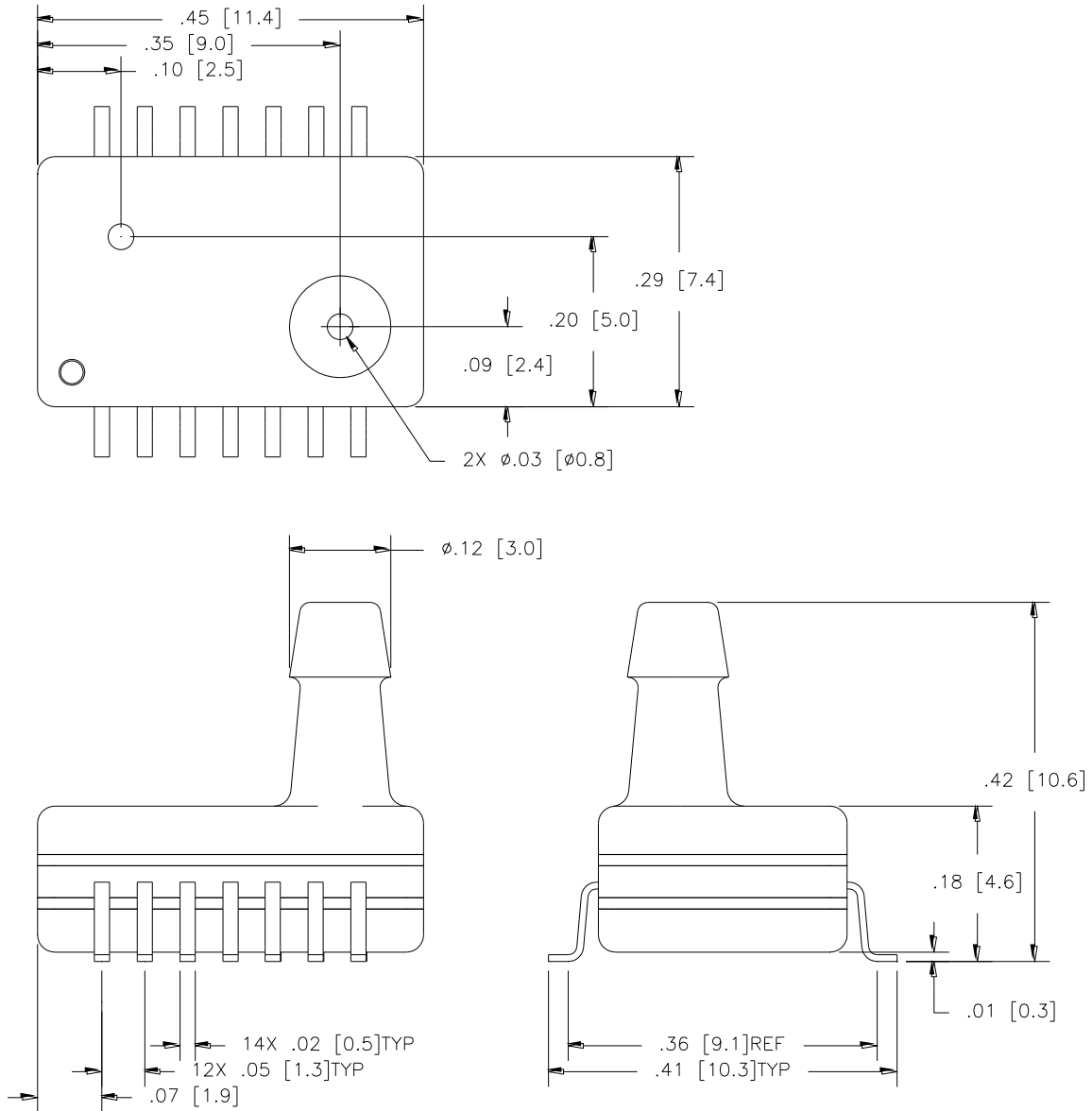
DIMENSIONS ARE IN INCHES [mm]



MS5525DSO (Digital Small Outline)

MS5525DSO-SBxxxS

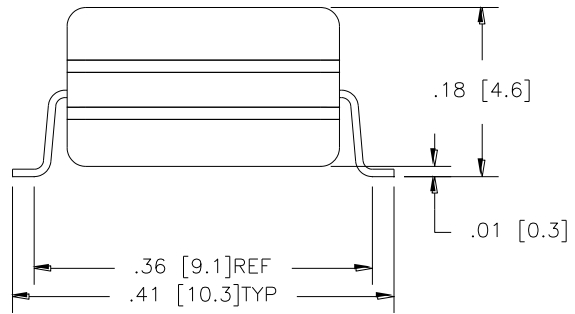
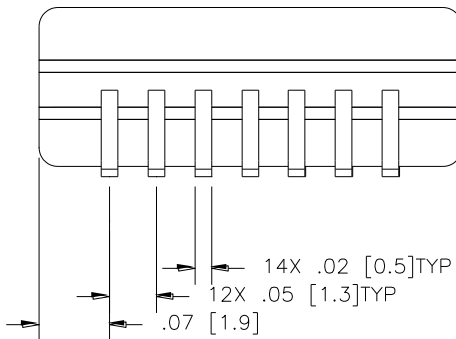
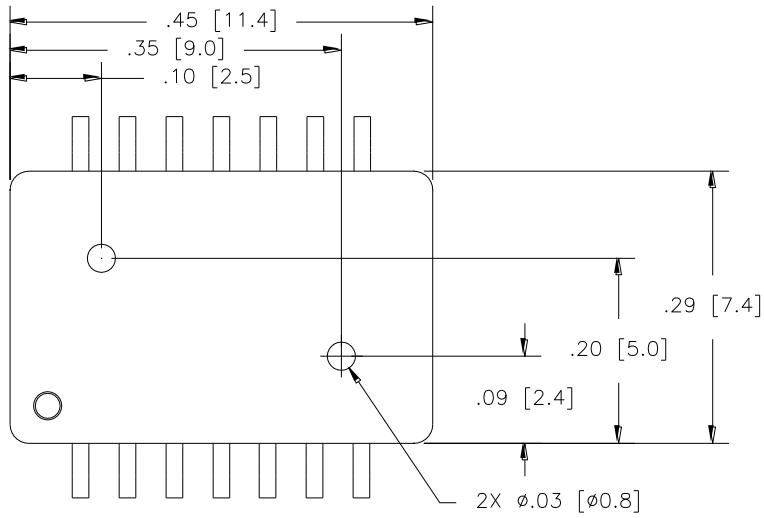
DIMENSIONS ARE IN INCHES [mm]



MS5525DSO (Digital Small Outline)

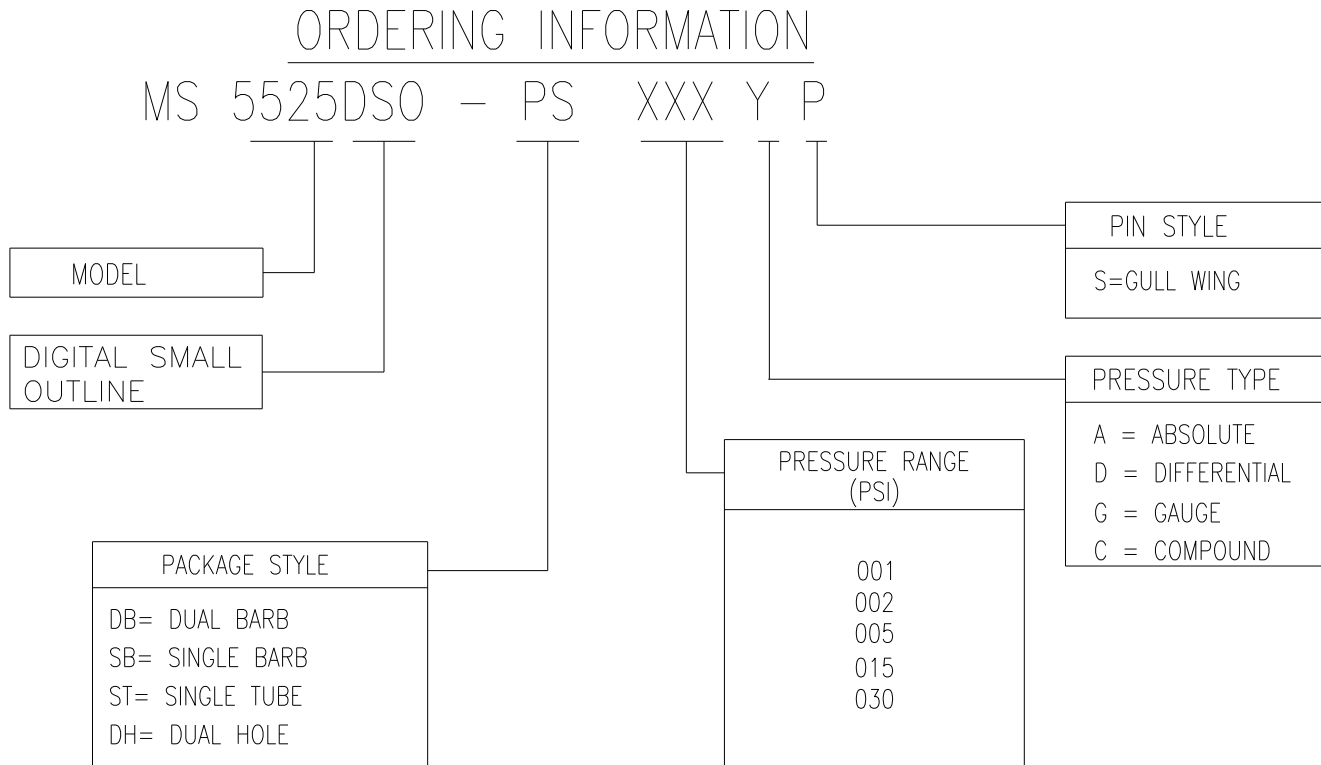
MS5525DSO-DHxxxS

DIMENSIONS ARE IN INCHES [mm]



MS5525DSO (Digital Small Outline)

ORDERING INFORMATION



NORTH AMERICA

Measurement Specialties
45738 Northport Loop West
Fremont, CA 94538
Tel: 1-800-767-1888
Fax: 1-510-498-1578

EUROPE

Measurement Specialties
(Europe), Ltd.
26 Rue des Dames
78340 Les Clayes-sous-Bois, France
Tel: +33 (0) 130 79 33 00
Fax: +33 (0) 134 81 03 59

ASIA

北京赛斯维测控技术有限公司
北京市朝阳区望京西路48号
金隅国际C座1002
电话：+86 010 8477 5646
传真：+86 010 5894 9029
邮箱：sales@sensorway.cn
<http://www.sensorway.cn>

The information in this sheet has been carefully reviewed and is believed to be accurate; however, no responsibility is assumed for inaccuracies. Furthermore, this information does not convey to the purchaser of such devices any license under the patent rights to the manufacturer. Measurement Specialties, Inc. reserves the right to make changes without further notice to any product herein. Measurement Specialties, Inc. makes no warranty, representation or guarantee regarding the suitability of its product for any particular purpose, nor does Measurement Specialties, Inc. assume any liability arising out of the application or use of any product or circuit and specifically disclaims any and all liability, including without limitation consequential or incidental damages. Typical parameters can and do vary in different applications. All operating parameters must be validated for each customer application by customer's technical experts. Measurement Specialties, Inc. does not convey any license under its patent rights nor the rights of others.