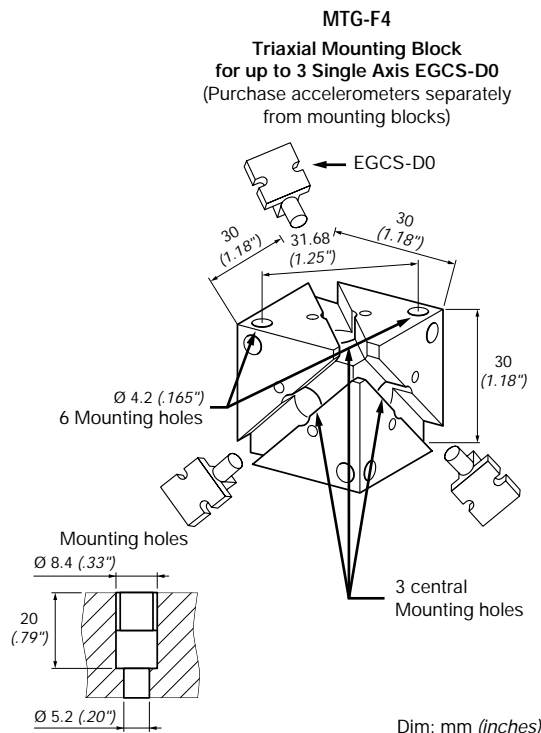
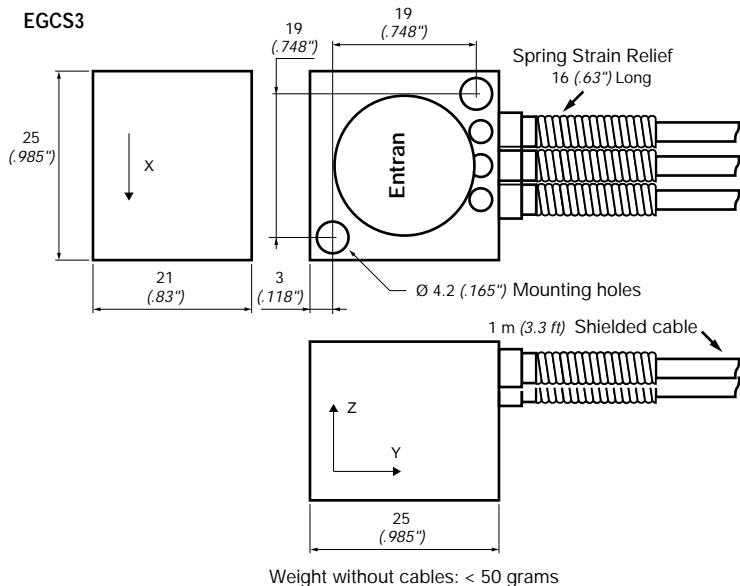


Specifications



TRIAxIAL EGCS3 & MTG-F4



EGCS3 Multiaxial Series - Specifications for each individual axis

g RANGES "FS"	g OVERRRANGE LIMIT	FREQUENCY RESPONSE ±1/2dB nom./min.	NATURAL FREQUENCY nom.	SENSITIVITY mV/g nom.			OUTPUT "FSO" nom.		
				-A	-B	-D	-A	-B	-D
± 2	± 200	0 to 90/50 Hz	170 Hz	2500	1250	100	± 5V	± 2.5V	± 200mV
± 5	± 500	0 to 150/80 Hz	300 Hz	1000	500	40	± 5V	± 2.5V	± 200mV
± 10	± 1000	0 to 200/120 Hz	400 Hz	500	250	20	± 5V	± 2.5V	± 200mV
± 25	± 2000	0 to 400/240 Hz	800 Hz	200	100	8	± 5V	± 2.5V	± 200mV
± 50	± 5000	0 to 600/350 Hz	1200 Hz	100	50	4	± 5V	± 2.5V	± 200mV
± 100	± 10000	0 to 900/500 Hz	1800 Hz	50	25	2	± 5V	± 2.5V	± 200mV
± 250	± 10000	0 to 1300/750 Hz	2600 Hz	20	10	0.8	± 5V	± 2.5V	± 200mV
± 500	± 10000	0 to 1750/1000 Hz	3500 Hz	10	5	0.4	± 5V	± 2.5V	± 200mV
± 1000	± 10000	0 to 2500/1500 Hz	5000 Hz	5	2.5	0.2	± 5V	± 2.5V	± 200mV
± 2500	± 10000	0 to 3500/2000 Hz	7000 Hz	2	1	0.08	± 5V	± 2.5V	± 200mV
± 5000	± 10000	0 to >4000/2400 Hz	>8000 Hz	1	0.5	0.04	± 5V	± 2.5V	± 200mV

EXCITATION:

IMPEDANCE IN:

IMPEDANCE OUT:

ZERO OFFSET AT 20°C (70°F):

THERMAL ZERO SHIFT /50°C (/100°F):

THERMAL SENSITIVITY SHIFT (TSS):

NON-LINEARITY & HYSTERESIS:

TRANSVERSE SENSITIVITY:

DAMPING RATIO AT 20°C (70°F):

OVERRRANGE STOPS:

OPERATING TEMPERATURE:

COMPENSATED TEMPERATURE:

CE CONFORMANCE:

A = ± 15VDC

A = 15mA max.

A = 1Ω nom.

A = ± 250mV typ

A = ± 50mV

± 2.5%/50°C (± 2.5%/100°F)

± 1% FSO

2% max.

0.7 nom. (0.5 to 0.9)

Integral

-40°C to 120°C (-40°F to 250°F)

20°C to 80°C (70°F to 170°F)

EN 61010-1, EN 50081-1, EN 50082-1

B = 28VDC (24-32VDC)

B = 15mA max.

B = 1KΩ nom.

B = ± 250mV typ

B = ± 50mV

D = 15VDC

D = 2KΩ nom.

D = 1KΩ nom.

D = ± 15mV typ

D = ± 2mV

Entran®



TITLE

EGCS3 ACCELEROMETERS
Triaxial
High Sensitivity

Entran Devices, Inc.
FAIRFIELD, NJ, USA

SPECIFICATION NUMBER

ISSUE

PAGE

EGCS3S01U

PA1

1 of 2

Options and Accessories (for all individual axes):

COMPENSATED TEMPERATURE RANGES:	STANDARD	= 20°C to 80°C (70°F to 170°F)
	Z1	= -20°C to 40C (0°F to 100°F)
	Z2	= 0°C to 60°C (32°F to 140°F)
	Z4	= 40°C to 90°C (100°F to 200°F)
	Z*	= Non-standard, contact Entran
EXCITATION VOLTAGE:	V*	= Non-standard Excitation with standard FSO and non-standard TSS, contact Entran.
SPECIAL LEAD LENGTH:	L00F	= Replace "00" with total length in feet.
	L00M	= Replace "00" with total length in meters.
WATERPROOFING LEAD EXIT:	X	= For short term waterproofing, contact Entran. Limited to 105°C (220°F).
CONNECTOR WIRED TO CABLE:	C	= Microtech type male (w/o mate)
	RS	= RJ Telephone type male (w/o mate)
MATING CONNECTORS FOR CONNECTOR OPTIONS:	See Cable and Connector Bulletins	

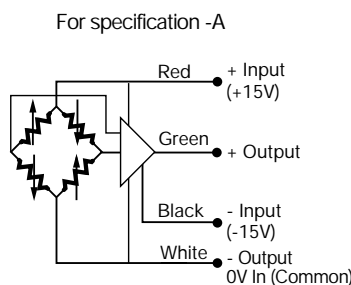
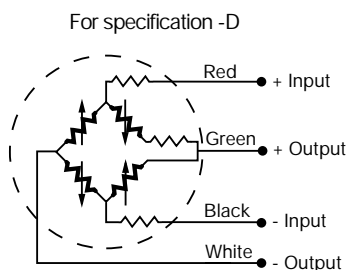


北京赛斯维测控技术有限公司
 北京市朝阳区望京西路48号
 金隅国际C座1002
 电话：+86 010 8477 5646
 传真：+86 010 5894 9029
 邮箱：sales@sensorway.cn
<http://www.sensorway.cn>

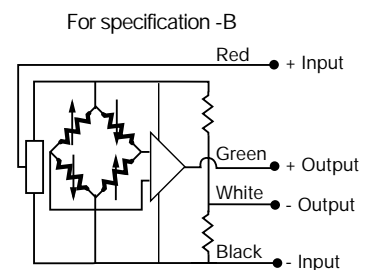
Model Number construction:

EGCS3 Series	-A Specifications	-	10 Range X Axis	/50 Range Y Axis	/50 Range Z Axis	-	/Z1/L2M/RS Options applied to all axes
	-A -B -D		(for all axes if Y and Z are blank)				C or RS L00F or L00M V* X Z1,Z2,Z4, or Z*
<u>Mounting Block</u> MTG-F4							

Wiring for each separate axis:



It is recommended that "0V COMMON" of the power supply be grounded if consistent with proper operation of the instrumentation system.



Common mode output voltage of +5V nom. referred to -Input

Entran®	EGCS3 ACCELEROMETERS	SPECIFICATION NUMBER	ISSUE	PAGE
		EGCS3S01U	PA0	2 of 2